

620 Desk Stand Kit

Installation Guide

The 620 Desk Stand allows you to install your 620 controller vertically, reducing the amount of space it occupies.

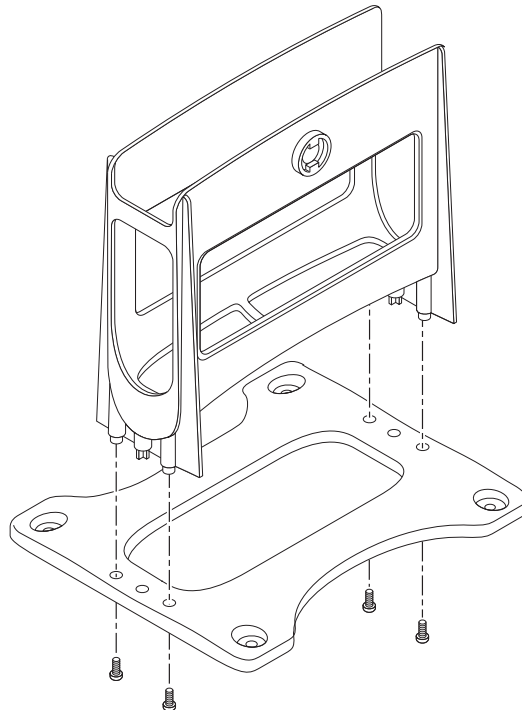
This kit includes:

- 1x Stand
- 1x Base
- 1x Lock
- 4x T10 Torx screws
- 1x T15 Torx screw

Installation

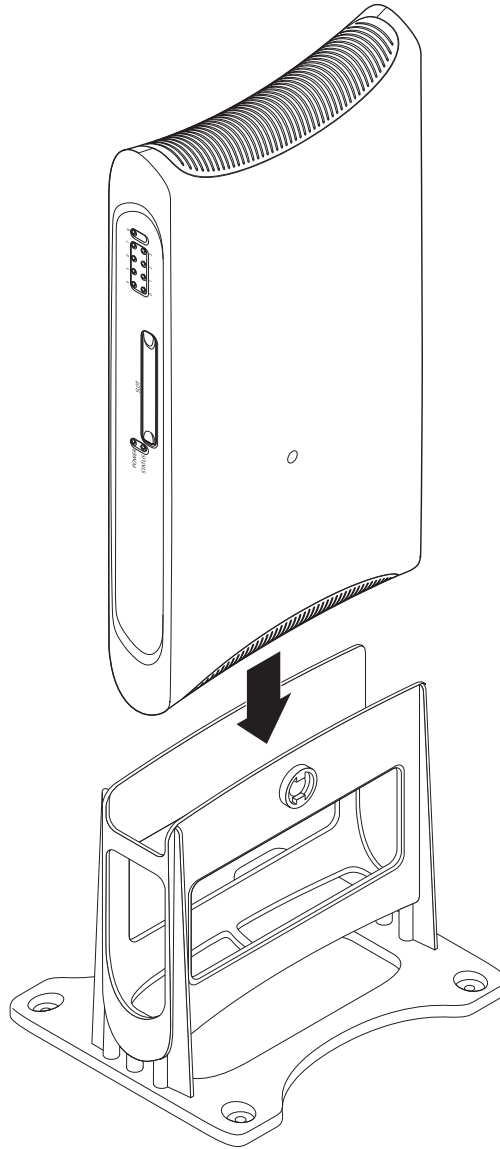
1. Attach the base to the stand as shown in [Figure 1](#).
 - a. Align the posts on the stand with corresponding holes in the base.
 - b. Secure the stand to the base using the four T10 Torx screws provided in this kit.

Figure 1 *Attaching the Base to the Stand*



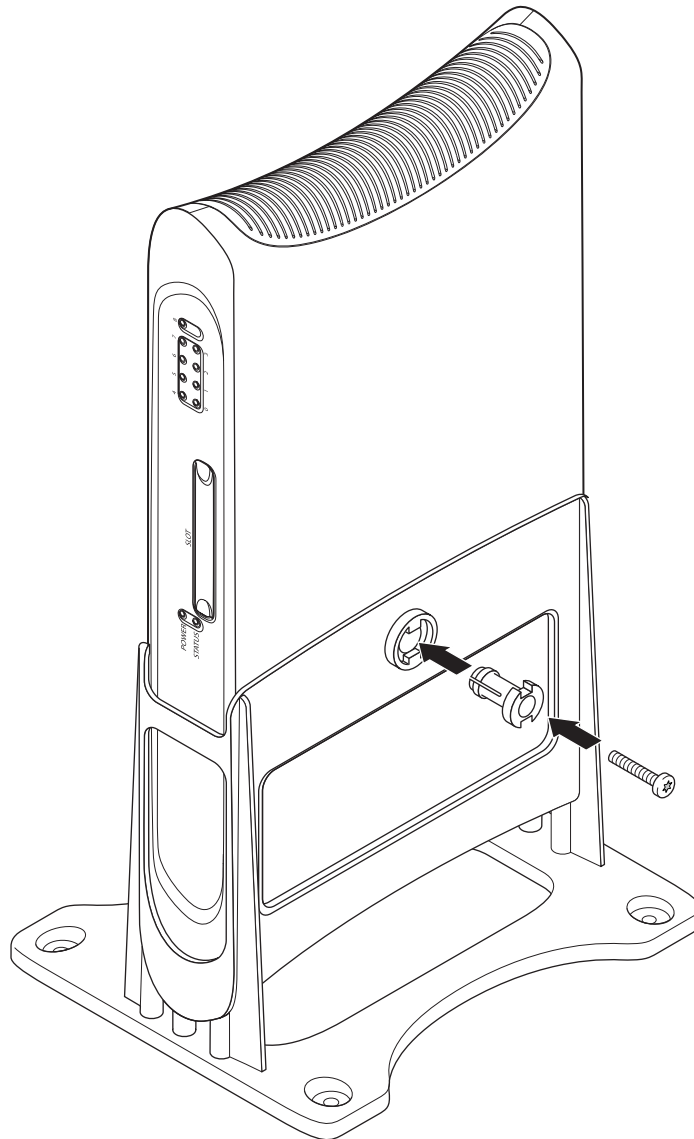
2. Orient the controller as it is shown in [Figure 2](#).
3. Insert the controller into the desk stand.

Figure 2 *Placing the Controller in the Stand*



4. Complete the installation by securing the controller to the stand as shown in [Figure 3](#).
 - a. Insert the lock into the opening in the right side of the stand.
 - b. Insert the T15 Torx screw into the lock and tighten it until secure.

Figure 3 *Securing the Controller*



5. Complete the installation by connecting all the necessary cables.

